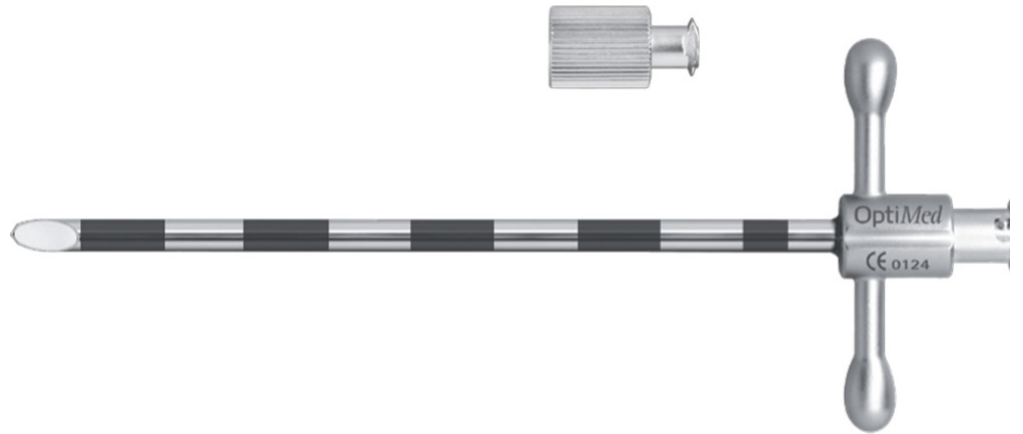
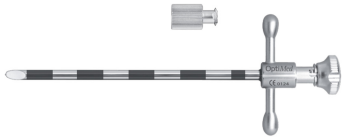


Special Vertebroplasty Needle

Special vertebroplasty needle for Cemento-MP and Cemento-RE



Order-Nr.	Needle Length	Diameter
	mm	mm / G
1394-1010	100	3,2 / 10
1394-1013	100	2,4 / 13
1394-1015	100	1,8 / 15
1394-1510	150	3,2 / 10
1394-1513	150	2,4 / 13
1394-1515	150	1,8 / 15

Box: 5 PCS

